

Technical Specification



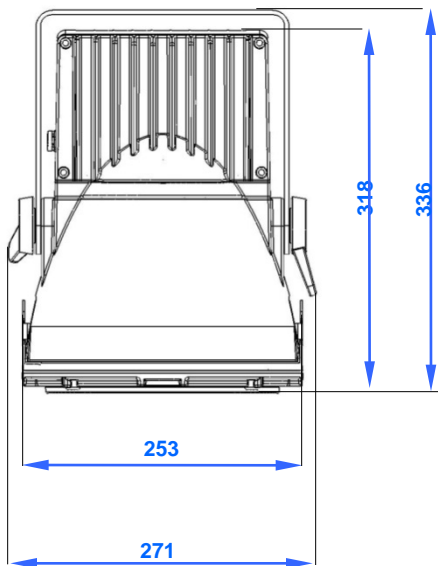
Water protected fixture for use with ceramic metal halogen discharge lamp. Powder coated aluminum body and bracket. Tool-less change of light sources and optics. Handles for simple adjustment. Electronic ballast in back compartment. Quick release between fixture and mains for fast maintenance. Membrane ventilators to remove moisture and equalize pressure. Integrated anti glare ring and lens protection. Rectangular light picture via a patented prismatic lens system. Module optical unit with quick release.

Use areas

Mound masts (4-24m), RTG cranes, workshops, warehouses, mobile equipment, perimeter lights, stables, railroad terminals, heavy industry, marine environments, greenhouses, zoo.

Technical Data

Mains (input) voltage	220-240 V
Total weight	6 kg fixture.
Form of protection	IP 66, class I
Temp. tolerance	+50°C till -30°C
Color temperature	4 200° K
Color rendering	Ra 90+
Lumen efficiency	90 lumen/Watt
Light-source life exp.	15 000 – 20 000 hours
Lamp type	CDM-T 35W, 70W, 100W or 150W
Operating position	Universal
Lamp seat	G12
Energy consumption	44 W, 81W, 105W or 167W
Start time	10 sec. to 50%. 1 minute to full lumen output
Ballast	Internal electronic ballast
Safety glass	Included (prismatic lens)
Reflector	High quality anodized aluminum, parabolic
Light dissemination	Several rectangular light pictures depending on use (15° to 155° dissemination). Contact us for light calculations or light data to use in calculation programs.



Artikelnummer:

P03513, P03536, P03569, P035411F, P035314F, P035315 (35W)
 P07013, P07036, P07069, P070411F, P070314F, P070315 (70W)
 P10013, P10036, P10069, P100411F, P100314F, P100315 (100W)
 P15013, P15036, P15069, P150411F, P150314F, P150315 (150W)

