

Technical Specification

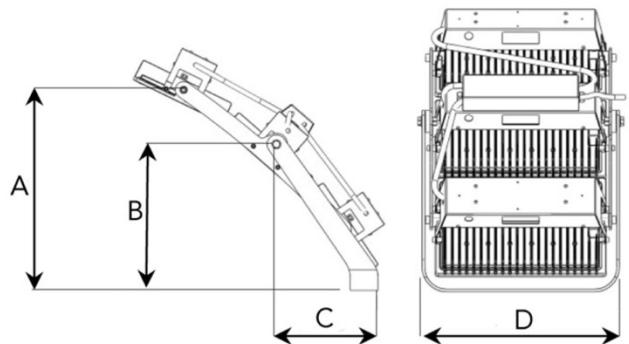
Water and shock protected LED fixture for hi-mast heavy duty applications in all climates hot or cold. Powder coated high purity aluminum body. Built in lens protection. Extra low glare/light pollution (as per EU Night Sky Directive). Bracket included. Dimming (1-10V) option. LED cards and drivers replaceable. Protected against sand and UV for extra long life.

Use areas

Hi-masts (20m-50m). Airports. Container ports. Arena and Sport lighting. Large halls (ex. Hangars). Construction cranes, Container cranes up to 70m. Class 3 ATEX equipment for use in Zone 2 and 2:2.

Technical Data

Mains (input) voltage	200 - 240 VAC, 50-60Hz
Total weight	30 kg: fixture + integrated drivers
Form of protection	IP 65, C5M/I corrosion resistance
Vibration resistance	3G during extended periods
Wind speed design	55 m/s (Hurricane class)
Temp. tolerance	+50°C to -40°C
Color temperature	4 000°K (5700 option)
Color rendering	CRI 80+
Lumen output	114 000lm
Energy consumption	909 W
Lumen efficiency	125lm/system W
LED life exp.	100 000h+ to L80
Light-sources	LED
Start time	1 sec. to maximum lumen output
Drivers	3x 320W dimmable (1-10V),
Protective cover	UV proof, sand proof (hardened glass)



A 652 B 394 C 275 D 456 (mm)